

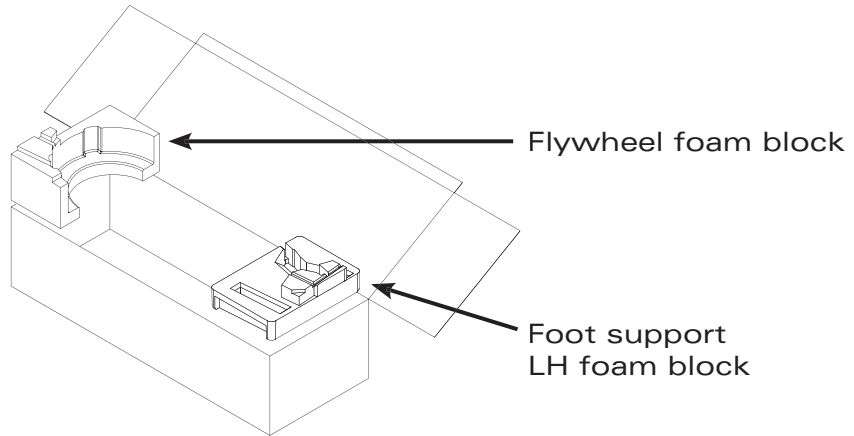
REBOXING YOUR INDOOR ROWER

applies to all Model Cs and Model Ds built before July 31, 2006

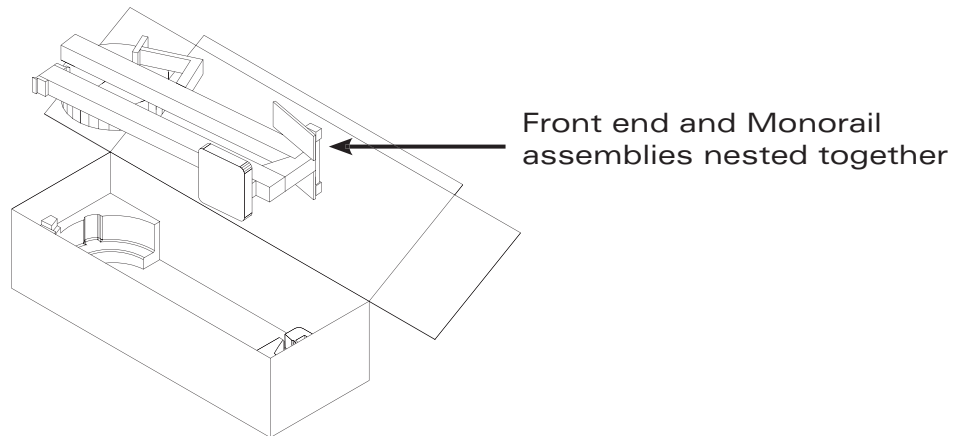
TOOLS NEEDED: hex allen wrench
fiber packing tape

STEP 1 - Remove and disassemble the front legs and the Framelock. Package framelock pieces and screws together in a bag. Place legs as directed and Framelock bag inside the Foot support RH block in **STEP 4**.

STEP 2



STEP 3



STEP 4

