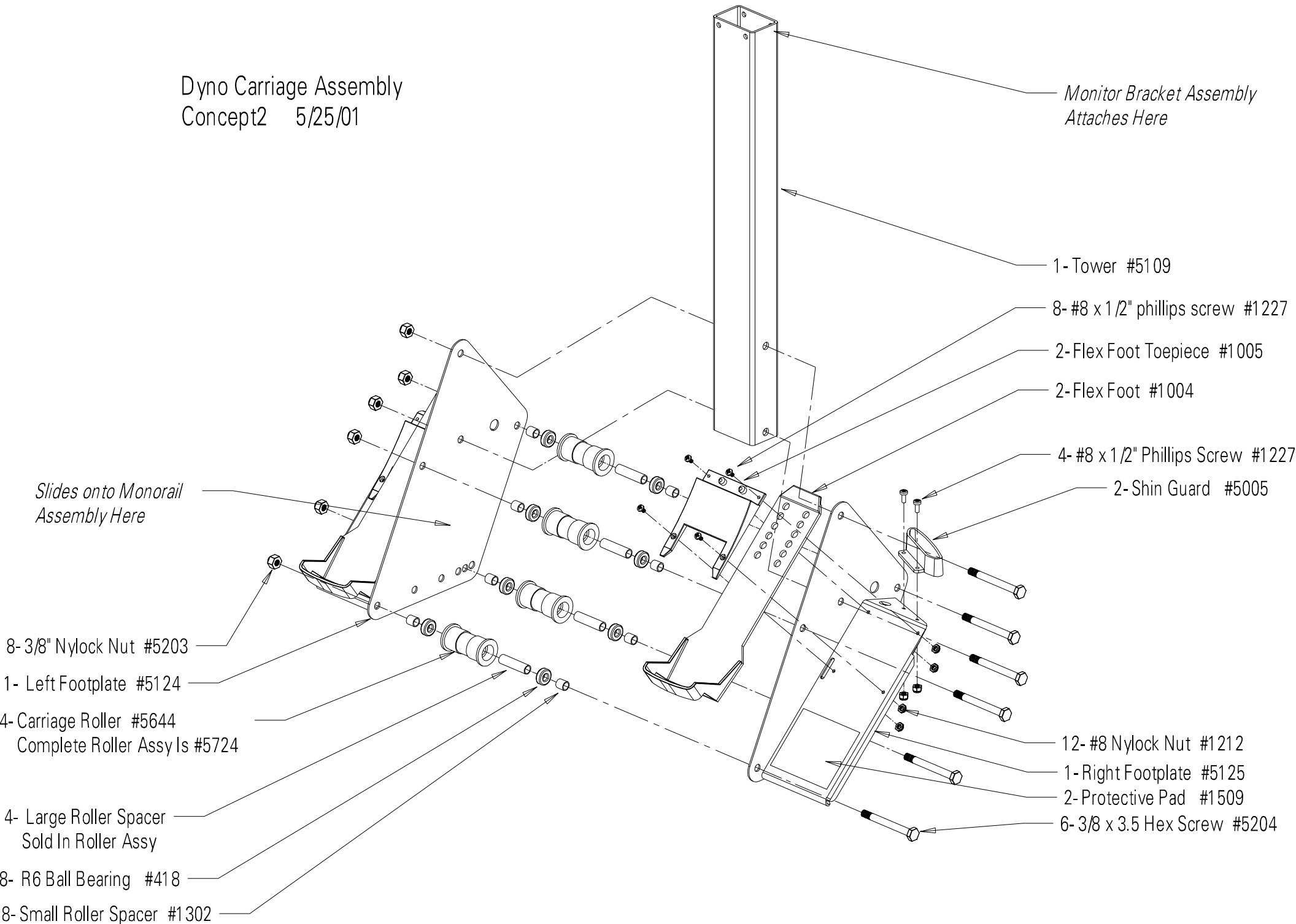
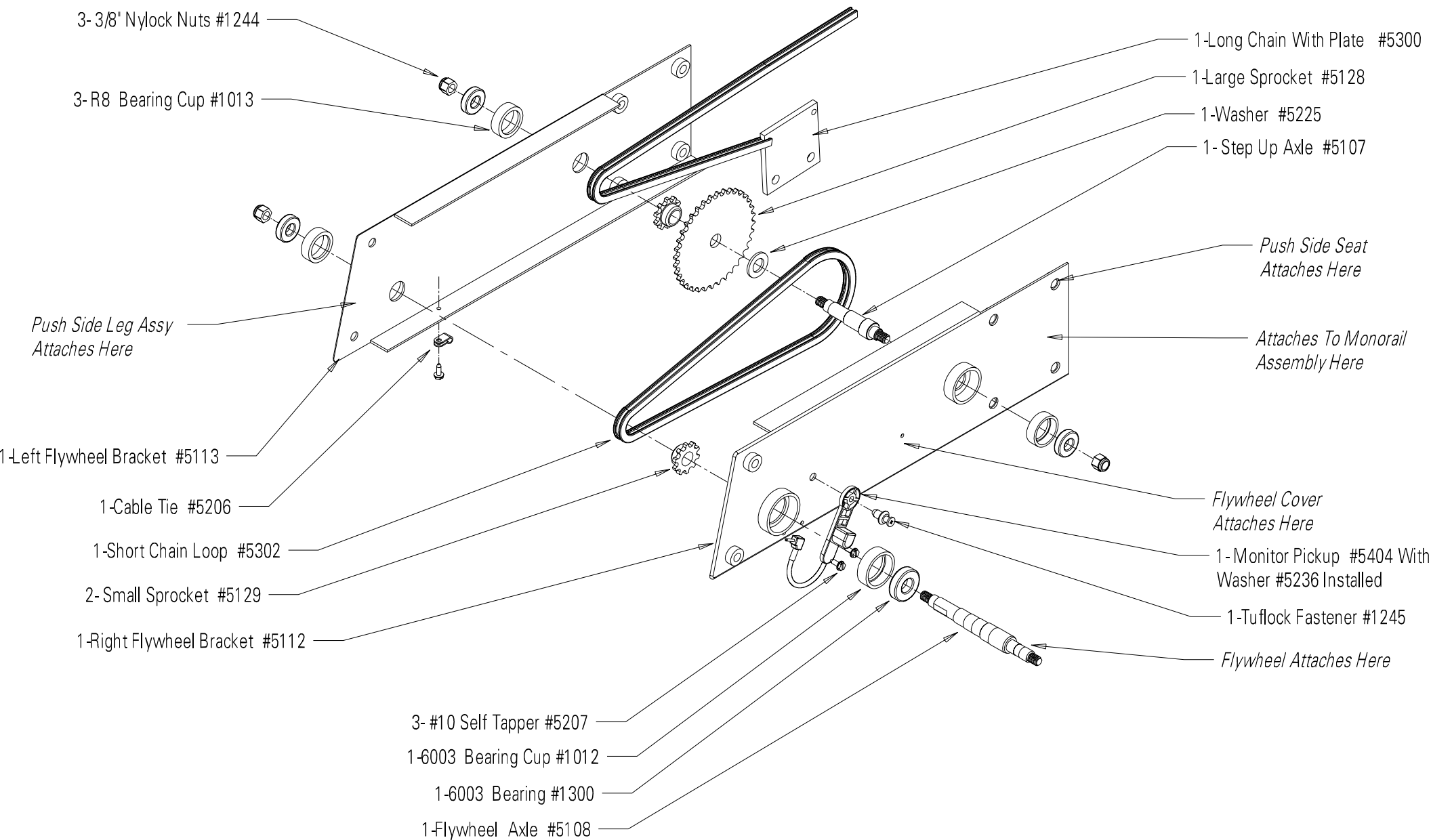


Dyno Carriage Assembly  
Concept2 5/25/01



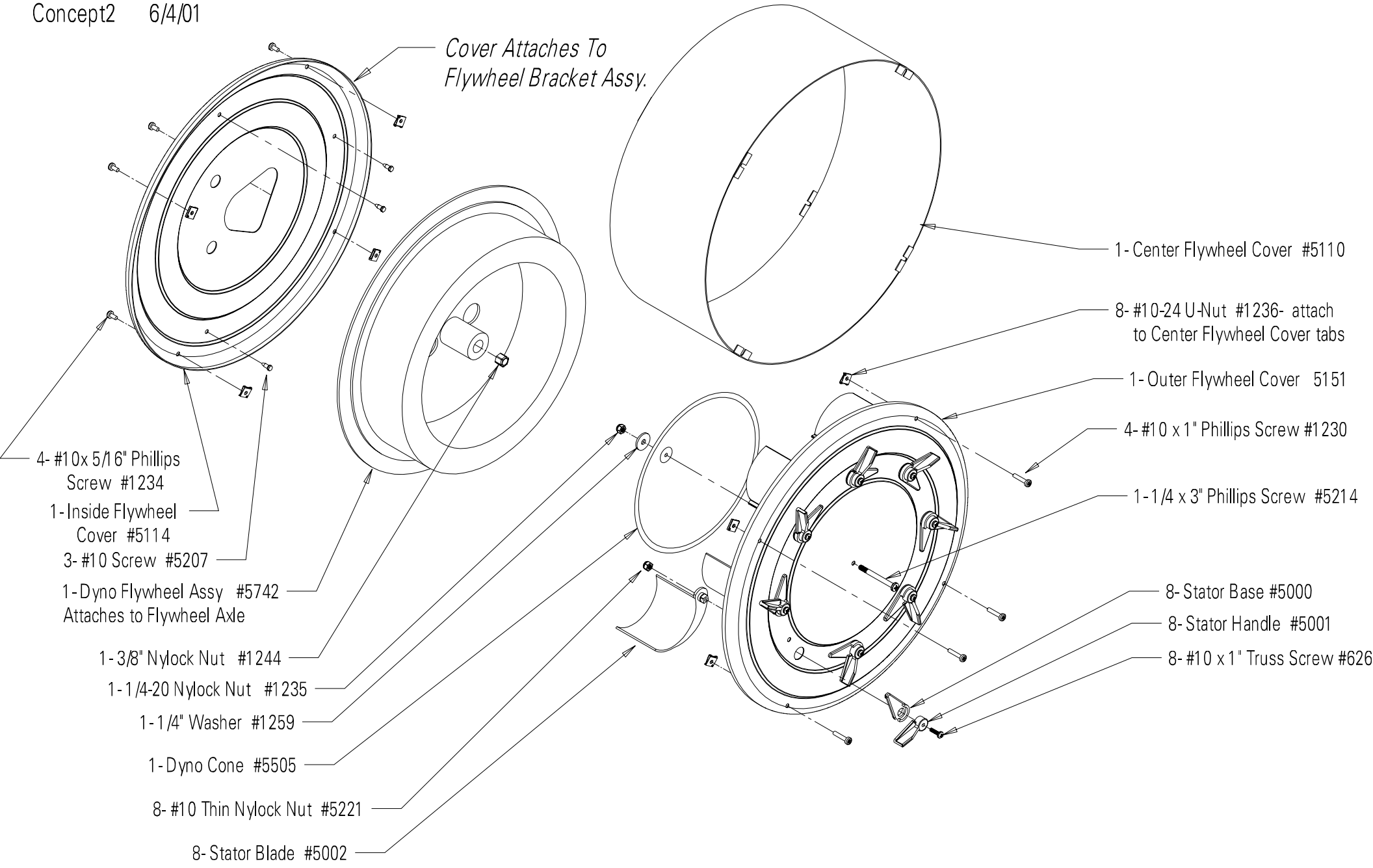
# Dyno Flywheel Bracket Assembly

Concept2 6/19/01



Dyno Flywheel, Stators and Cover Assembly

Concept2 6/4/01



*Cover Attaches To  
Flywheel Bracket Assy.*

4- #10x 5/16" Phillips  
Screw #1234

1- Inside Flywheel  
Cover #5114

3- #10 Screw #5207

1- Dyno Flywheel Assy #5742  
Attaches to Flywheel Axle

1- 3/8" Nylock Nut #1244

1- 1/4-20 Nylock Nut #1235

1- 1/4" Washer #1259

1- Dyno Cone #5505

8- #10 Thin Nylock Nut #5221

8- Stator Blade #5002

1- Center Flywheel Cover #5110

8- #10-24 U-Nut #1236- attach  
to Center Flywheel Cover tabs

1- Outer Flywheel Cover 5151

4- #10 x 1" Phillips Screw #1230

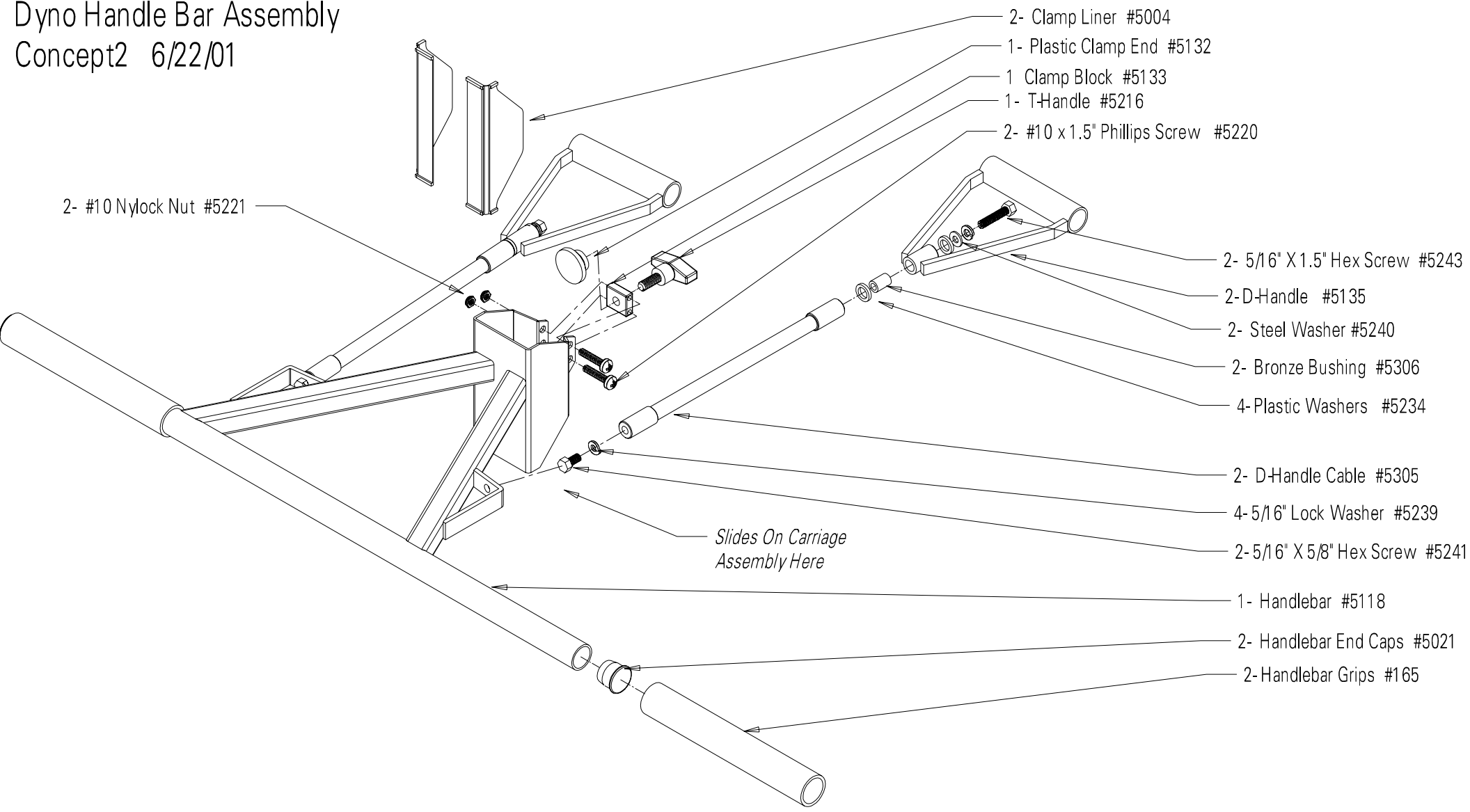
1- 1/4 x 3" Phillips Screw #5214

8- Stator Base #5000

8- Stator Handle #5001

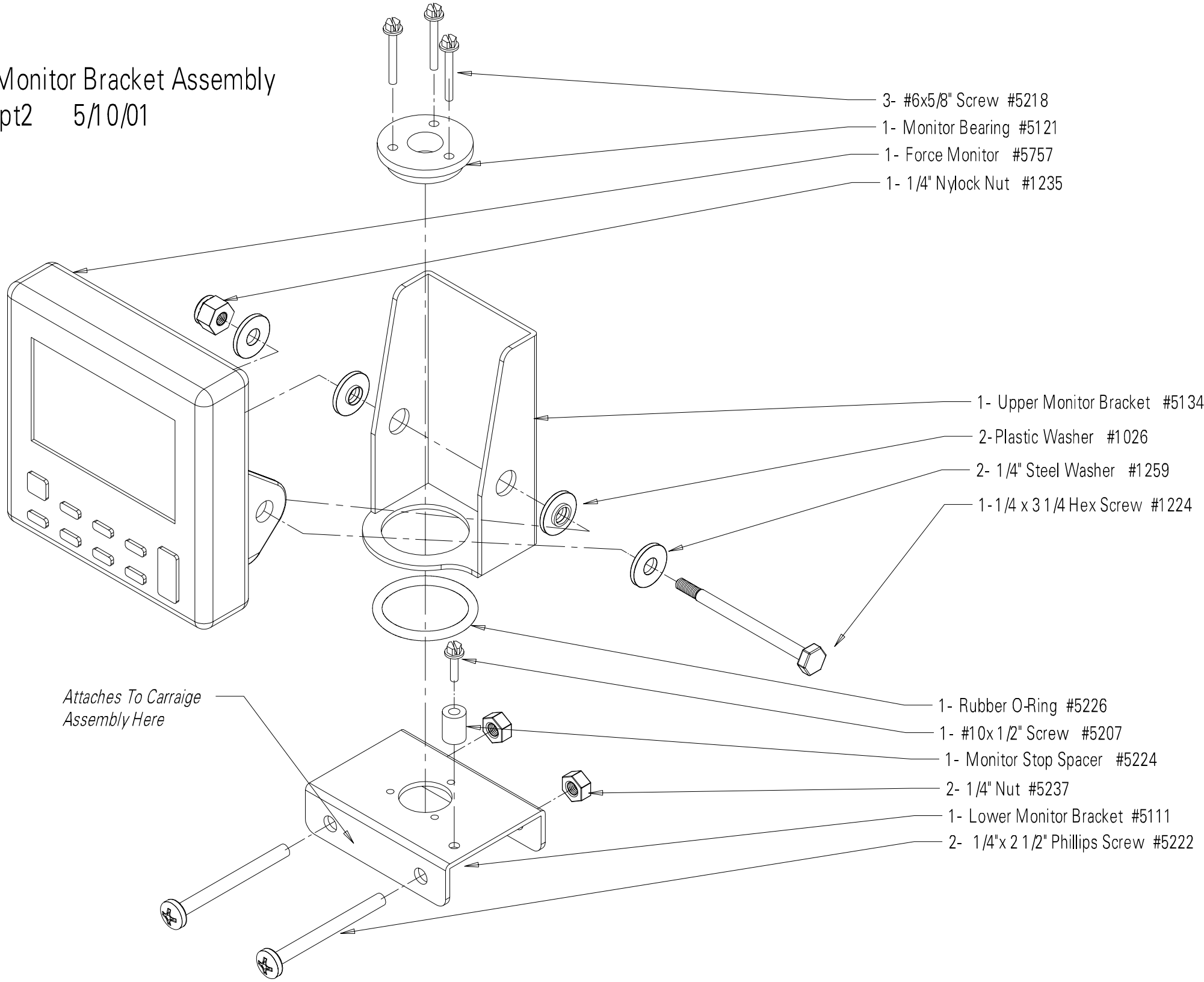
8- #10 x 1" Truss Screw #626

Dyno Handle Bar Assembly  
 Concept2 6/22/01

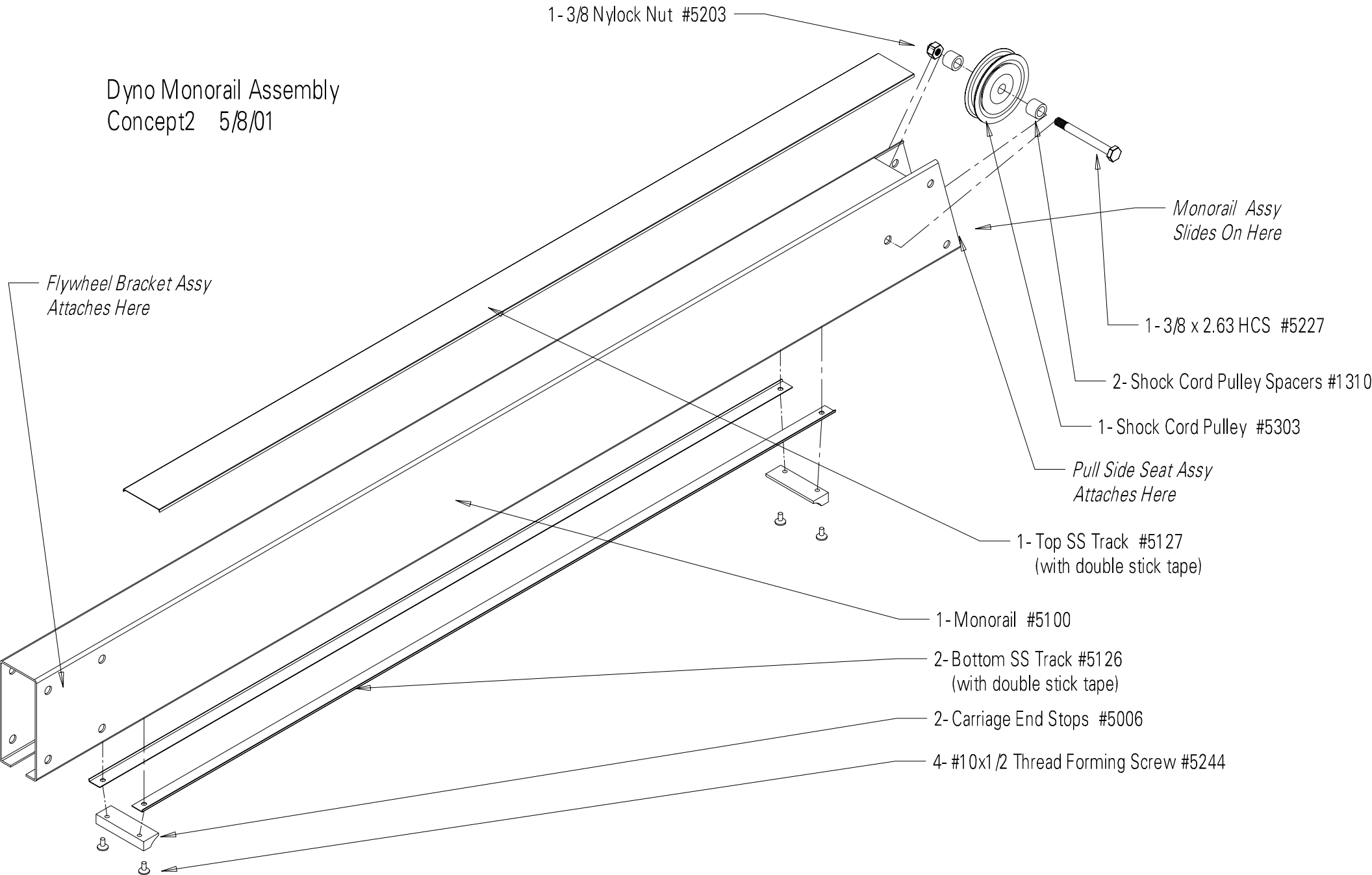


# Dyno Monitor Bracket Assembly

Concept2 5/10/01



Dyno Monorail Assembly  
Concept2 5/8/01



1- 3/8 Nylock Nut #5203

*Flywheel Bracket Assy  
Attaches Here*

*Monorail Assy  
Slides On Here*

1- 3/8 x 2.63 HCS #5227

2- Shock Cord Pulley Spacers #1310

1- Shock Cord Pulley #5303

*Pull Side Seat Assy  
Attaches Here*

1- Top SS Track #5127  
(with double stick tape)

1- Monorail #5100

2- Bottom SS Track #5126  
(with double stick tape)

2- Carriage End Stops #5006

4- #10x1/2 Thread Forming Screw #5244

Dyno Pull Side Seat Assembly  
 Concept2 5/9/01

1 Pull Side Seat Back Bracket #5103

2 3/8x3/4 Slotted Screw #5208

4 3/8 Nylock Nut #5203

1 Seat Post Cap #5020

1 Pull Side Leg #5122

1 Pull Side Seat Back #5402

1 Pull Side Seat Bottom #5401

L&R Pull Side Seat Brackets  
 #5101 & #5102

4 #10x1/2 Phillips Screw #256

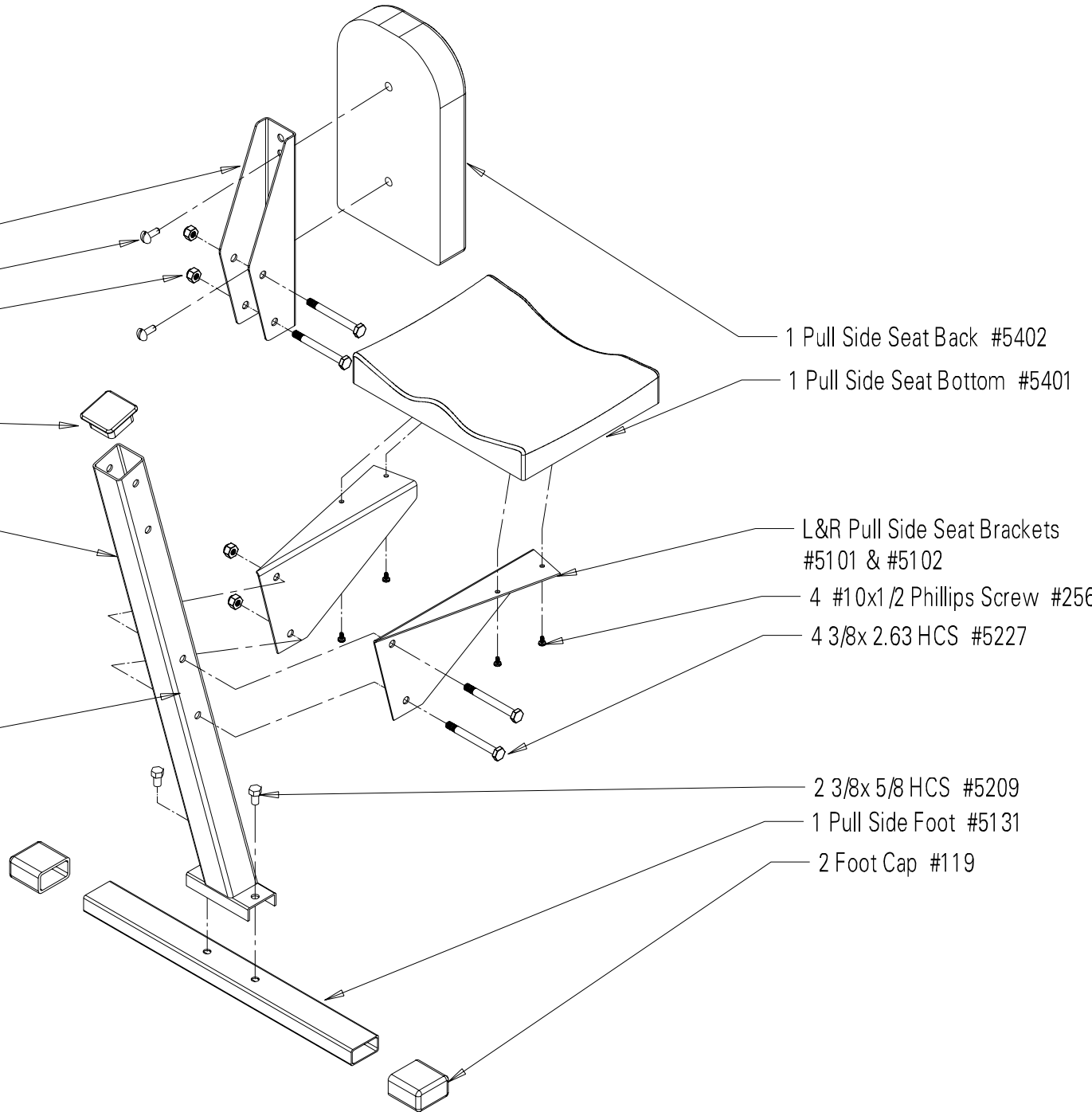
4 3/8x 2.63 HCS #5227

2 3/8x 5/8 HCS #5209

1 Pull Side Foot #5131

2 Foot Cap #119

*Monorail Assembly  
 Attaches Here*



# Dyno Push Side Seat Assembly

Concept2 6/19/01

